

Bushing Data:

Rated Voltage	72.5	kV
Phase to-earth Voltage	72.5	kV
Dry Lightning Impulse I, 2/50µs	350	kV
Wet Switching Impulse	250	kV
Wet Power frequency AC	150	kV
Routine test Imin dry 50Hz	175	kV
Rated Current	5000	A
Creepage Distance	1905	mm
Mass	230	kg

Ordering Data:

BUSHING
 LF121056 -F / -AF COLOUR AIR INSULATOR
 BROWN / LIGHT GREY

OUTER TERMINAL

LF170 073-A Al	H2 (mm)	D2 (mm)
LF170 073-B Cu	125	60
LF170 073-G Cu/Ag	125	60
OTHER TYPES ON REQUEST	125	60

END-SHIELD
 LF170 046-U EPOXY INSULATED
 LF170 046-UP INSULATED WITH 3 mm PRESSBOARD

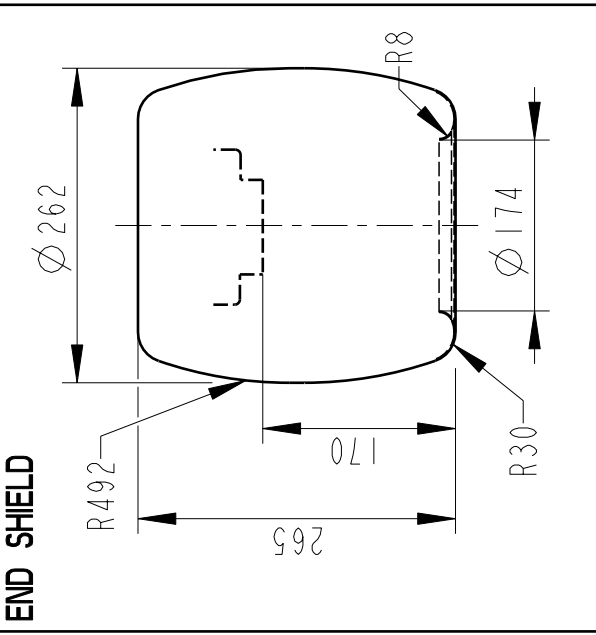
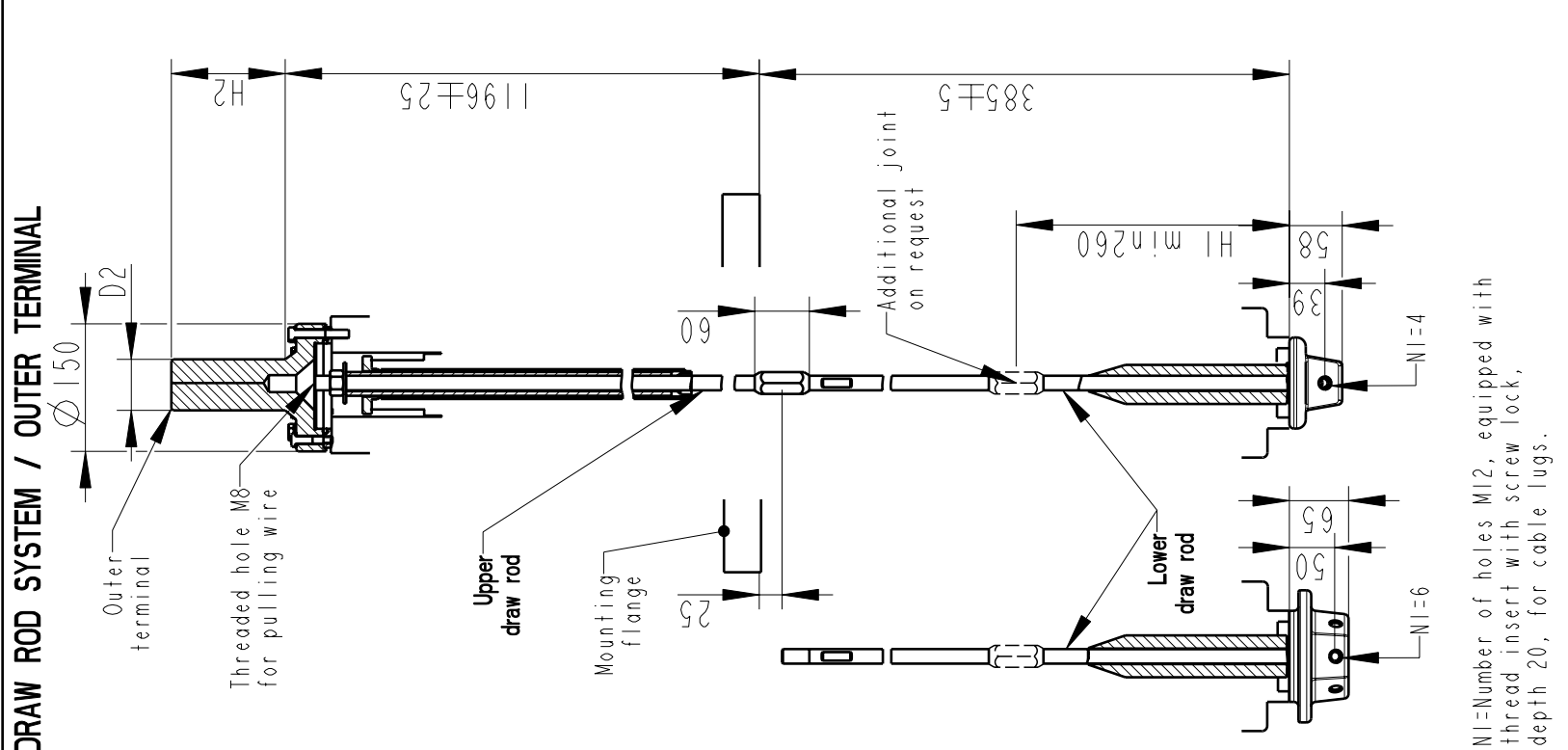
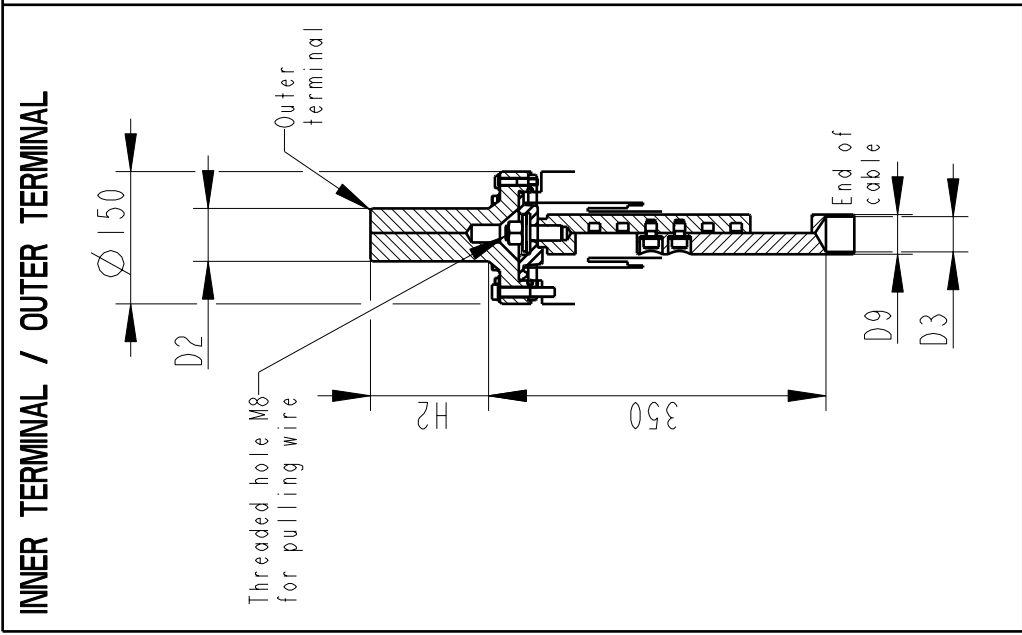
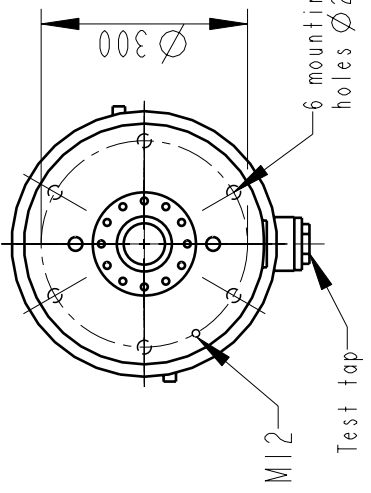
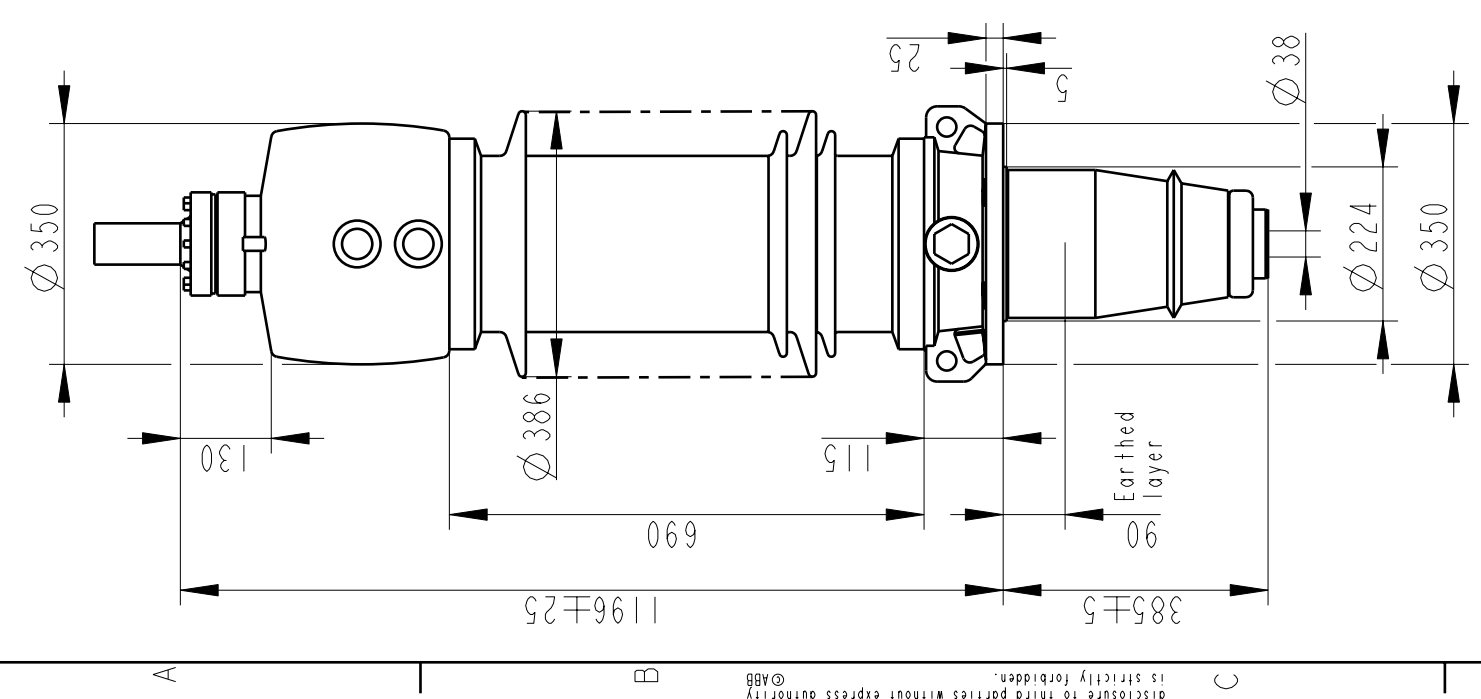
DRAW ROD SYSTEM
 LF170 059 LOWER DRAW ROD WITH NI=4 OR NI=6
 LF170 057 UPPER DRAW ROD

INNER TERMINAL

D3 (mm)	D9 (mm)	Cond. area (mm ²)	Current (A) IEC	IEEE
LF170 056-A O *)	35	-	-	-
LF170 056-B	15	35	390	370
LF170 056-C	30	35	285	1000
*) WITH PILOT HOLE D=5				

ABB Components Lutha, Sweden

No.	kV	A	50/60 Hz
U ₁	kV	SI	kV AC
M	kg	L	mm D
C1	pF	Tanδ	;
C2	pF	Tanδ	;



NI=Number of holes M12, equipped with thread insert with screw lock, depth 20, for cable lugs.

Based on	Reg. No.	Title
Prepared	Responsible department	GOE-325-250-5000-0
Lövnord	COM/BK 0022	
Approved	Take over department	
Johansson	Database	
Design engineering review		
Gutman		
ABB ABB Components		Document No. 2751369-77